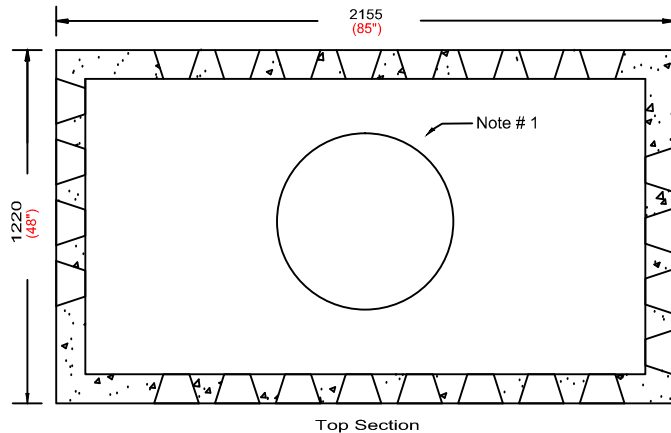


NEWMARKET PRE-CAST CONCRETE PRODUCTS LTD.

Telephone: 905-852-6111 ; Toll Free 1-800-263-1297

Soak Away Drainage Chamber

500 Imperial Gallons (2250L)



- Design shown is one piece unit
- Tanks are cast with 35 MPA strength concrete at 7 days with 5-7% air.
- Tank reinforcement 10m rebar placed around bottom
- 3kg structural fibre added to concrete
- Non-Suphate resistant concrete
- inlet fitted with 100mm rubber gasket and clamp
- Drainage holes are 20mm by 90mm tapered out to 70mm by 155mm

Tank Weight.....1994Kg (4395Lb)

Notes:

1. Cast in place 610mm ID plastic riser with plastic lid extending 50mm above top of tank

Designed for up to one metre burial over top of tank -vehicle traffic and up to two metre burial tanks are available upon request

