

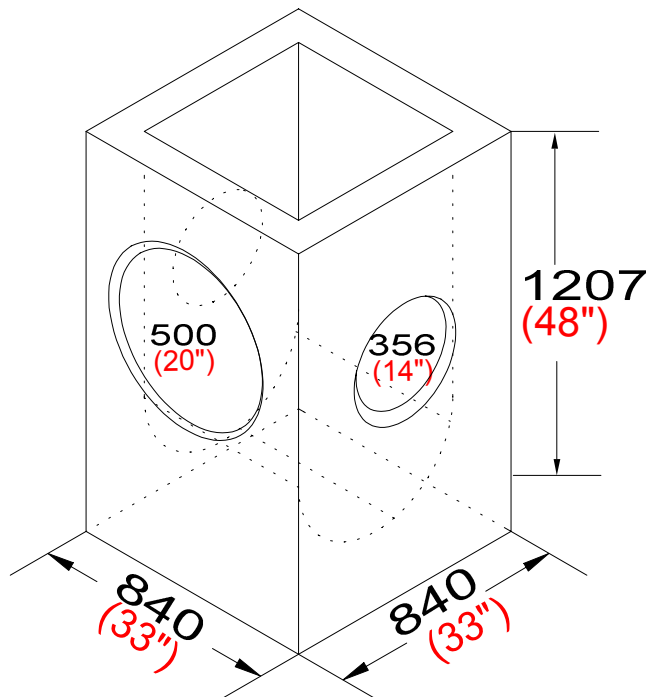
NEWMARKET PRE-CAST CONCRETE PRODUCTS LTD.

Telephone: 905-852-6111 ; Toll Free 1-800-263-1297

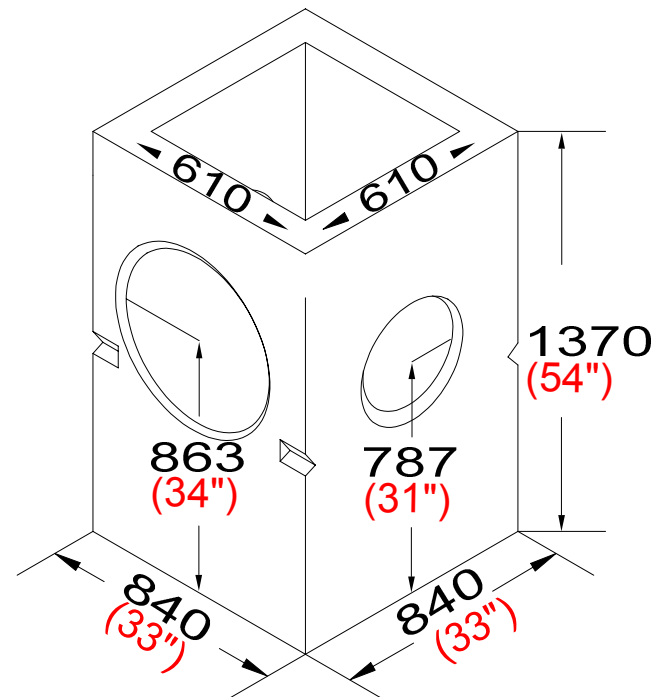
48" Standard Catch Basin

1 Piece Unit, Grade Rings Available

View with inside shown



External View



- Unit Weight of Approximately 1160Kg (2600Lbs)
- Cast with 35 MPA strength concrete at 7 days with 5-7% air
- 3.0 Kg structural fiber added to concrete ASTM C 1116
- Pipe openings are "knockouts" allowing for versatility
- Steel Frame and Grate Available