

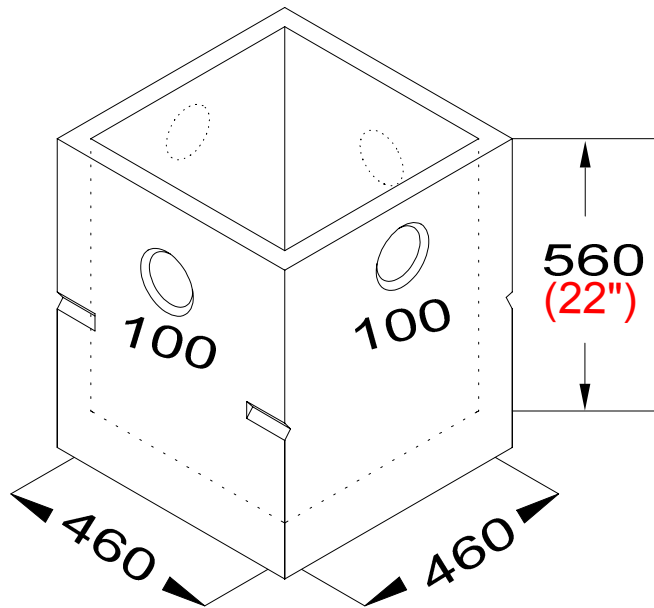
NEWMARKET PRE-CAST CONCRETE PRODUCTS LTD.

Telephone: 905-852-6111 ; Toll Free 1-800-263-1297

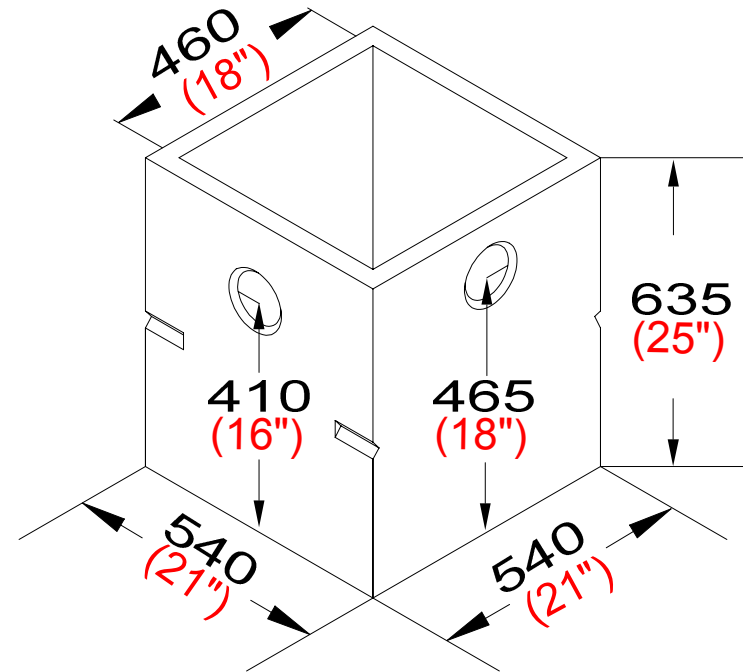
Garage Catch Basin

1 Piece Unit

View with inside shown



External View



- Unit Weight of Approximately 91Kg (200Lbs)
- Cast with 35 MPA strength concrete at 7 days with 5-7% air
- 3.0 Kg structural fiber added to concrete ASTM C 1116
- Pipe openings are "knockouts" allowing for versatility
- 2 opposite knockouts have 50mm difference from perpendicular 2
- Steel Frame and Grate Available