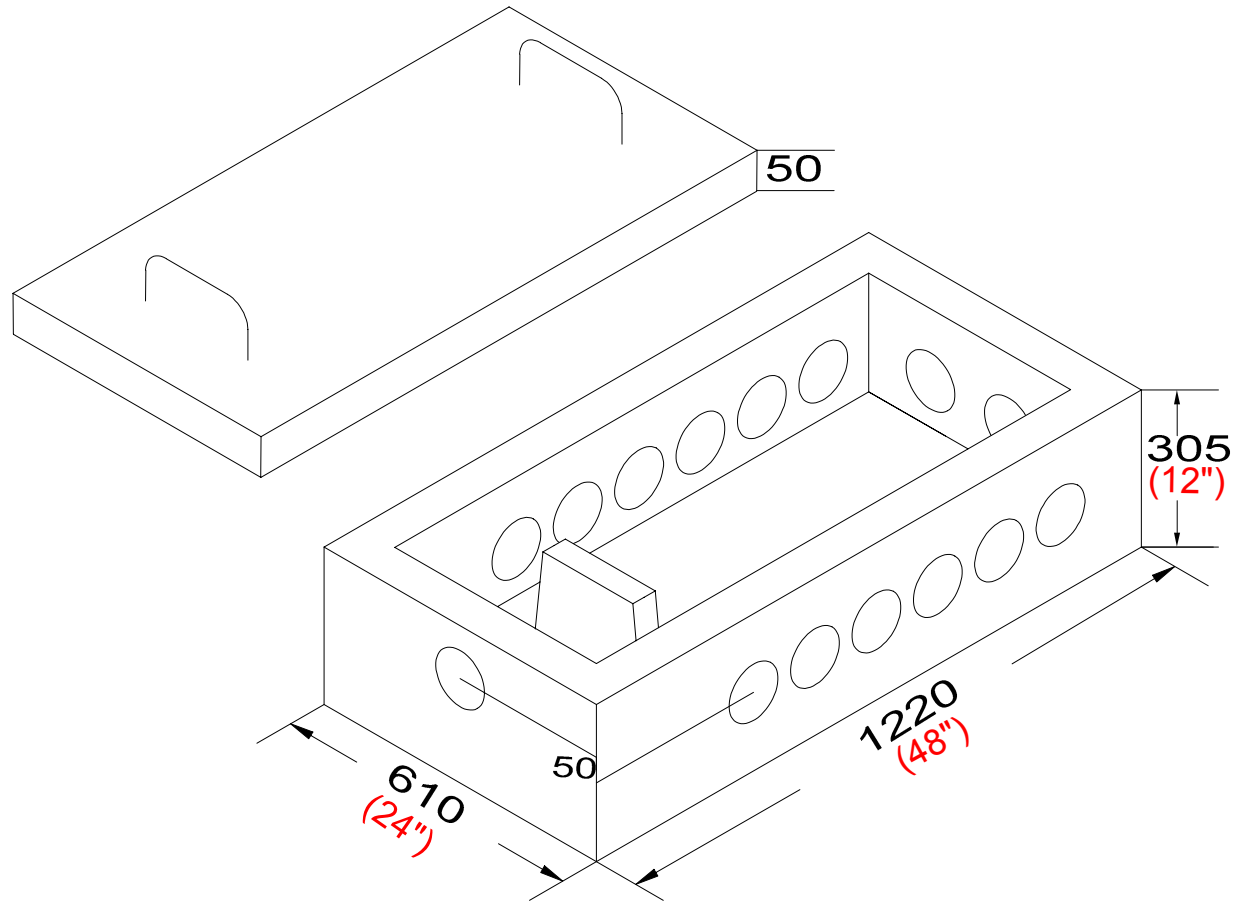


NEWMARKET PRE-CAST CONCRETE PRODUCTS LTD.

Telephone: 905-852-6111 ; Toll Free 1-800-263-1297

Large Distribution Box (14 Outlets)

2 Piece Unit, Lid & Base



- 1 plastic knockout style inlet and 14 coupling style outlets cast in
- Unit Weight of Approximately 290Kg (640Lbs)
- Cast with 35 MPA strength concrete at 7 days with 5-7% air
- 3.0 Kg structural fiber added to concrete ASTM C 1116
- Small Distribution Boxes have 100mm PVC Couplings Cast In
- Inlet opening is 50mm above outlet