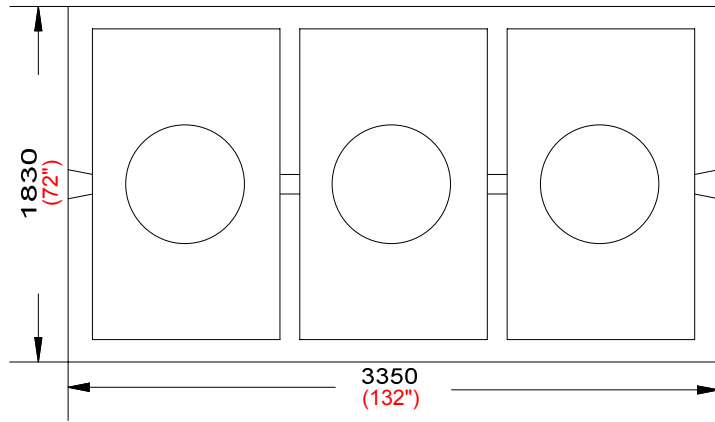


NEWMARKET PRE-CAST CONCRETE PRODUCTS LTD.

Telephone: 905-852-6111 ; Toll Free 1-800-263-1297

6000 Litres (1319 GAL) Oil And Grease Interceptor

2 PIECE, 3 COMPARTMENTS



Top Section

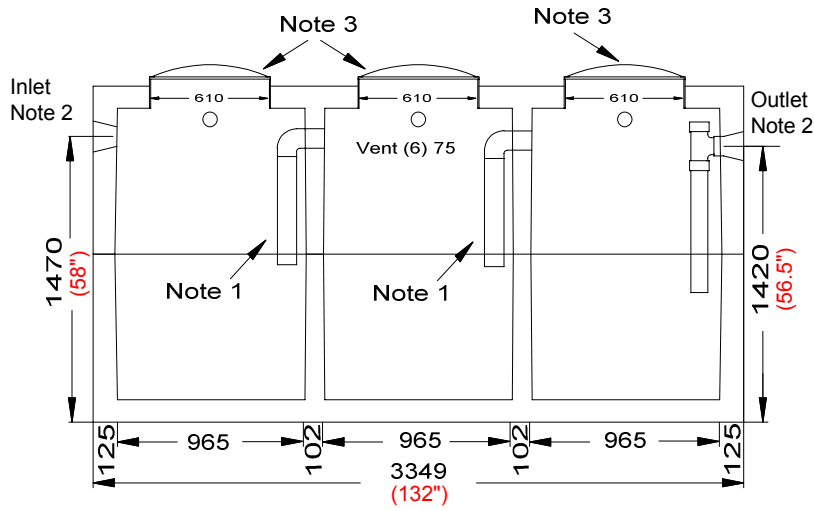
- Precast interceptor is delivered as a one piece unit
- Individual access lids to each compartment for cleanout
- three compartments separate water from any insoluble liquid of solids having a specific gravity less than that of water
- unit must be vented in regulation with plumbing codes
- tanks are cast with 35 MPA strength concrete at 7 days with 5-7% air
- Steel reinforced with 10m rebar, spaced at 400mm in each direction
- rebar cover is 25mm
- interceptors are used to prevent oil waste from entering the sanitary sewer system

Top Half Weight.....3157Kg (6960Lbs)
 Bottom Half Weight.....2794Kg (6160Lb)
 Total Tank Weight.....5951Kg (13120Lb)

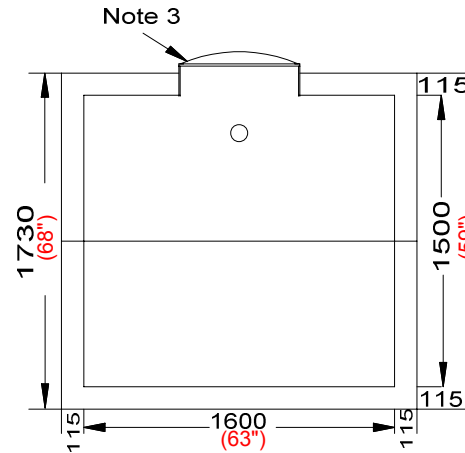
Notes

1. 150mm flow through pipes extending 600mm down
2. Standard three 150mm inlets as well as one outlet baffle consisting of 150mm tee and 150 mm pipe (710mm in length) that is readily adaptable for Filter
3. Cast in place 610mm ID plastic riser with plastic lid secured with stainless steel fasteners extending 100mm above top

Designed for up to one metre burial over top of tank -vehicle traffic and up to two metre burial tanks are available upon request



Side Section



End Section

