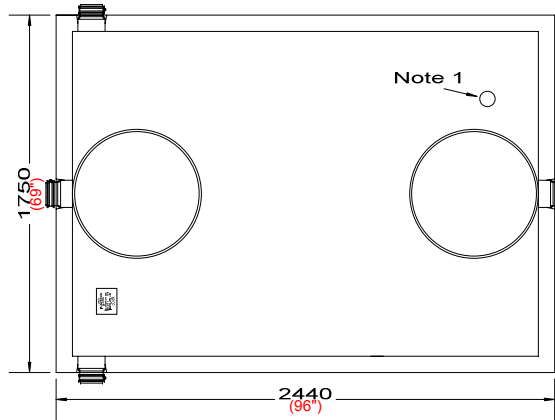


# NEWMARKET PRE-CAST CONCRETE PRODUCTS LTD.

Telephone: 905-852-6111 ; Toll Free 1-800-263-1297

## Model 4500 (1000 GAL) Holding Tank - 1 Piece Unit Working Capacity 4750 Litres (1045 Gal)



Top Section

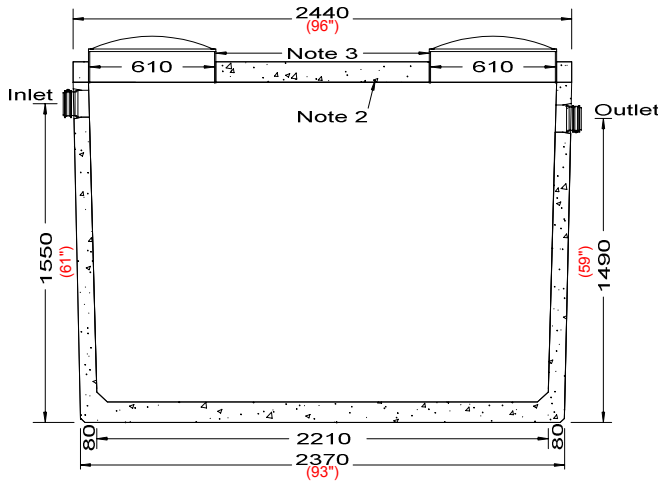
- This tank design is a one piece unit. Top is sealed with a fibrous mastic sealant
- tanks are cast with 35 MPA strength concrete at 7 days with 5-7% air
- 3.0 Kg. structural fibre added to concrete. ASTM C 1116
- Lid has 10m Pre-manufactured welded wire
- Rebar Cover 25mm
- Tanks conform to National Standards of Canada CAN/CSA B66-16
- Non-sulphate resistant concrete
- Standard (3) 100mm Inlets.

Bare Base Weight.....3840 Kg (8466 Lbs)  
Lid Weight.....1040 Kg (2293 Lbs)  
Total Tank Weight.....4880 Kg (10,759 Lbs)

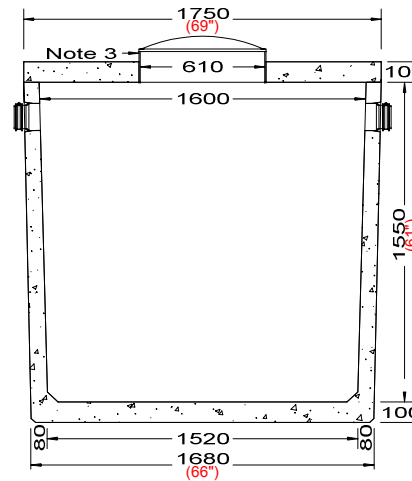
Notes

1. 75mm dia. PVC pipe cast-in to facilitate pump installation or venting
2. Water Storage Capacity to underside of top ..... **5291 Ltrs. (1164 gal.)**
3. Cast in place 610mm ID plastic riser with plastic lid secured with stainless steel fasteners extending 50mm above concrete

Designed for up to one metre burial over top of tank - Deep burial and vehicle traffic tanks are available upon request. Specialty conformations may be possible



Side Elevation Section



End Elevation Section

Tank Markings Observed:  
Inlet & Outlet is Marked.

Tank is marked on tank lid - Inlet End

<p><b>NPCP</b> 2017 SEPTIC 4500 B.D. 1 METRE 1200 LIQUID DEPTH WC 4517 NON-SULPHATE AGINP</p>
---