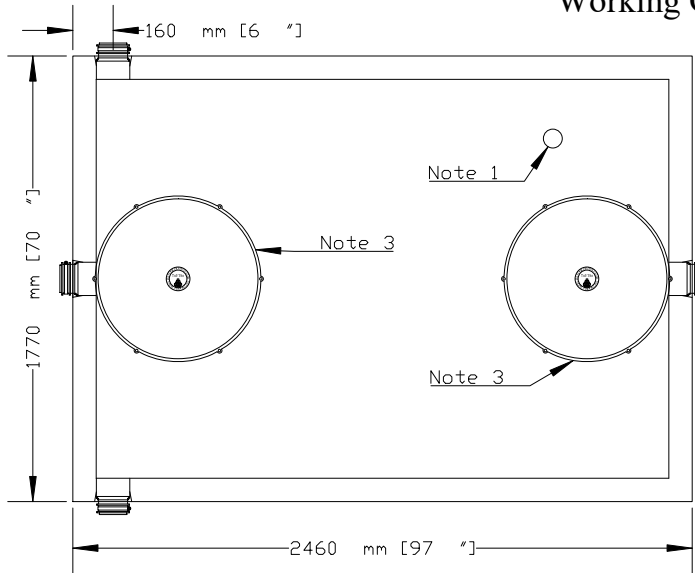


# NEWMARKET PRE-CAST CONCRETE PRODUCTS

Telephone: 905-852-6111 ; Toll Free 1-800-263-1297

## Model Low 3600 (800) Holding Tank - 1 Piece Unit

Working Capacity ..... 3843 Litres (845 GAL.)



Top Section

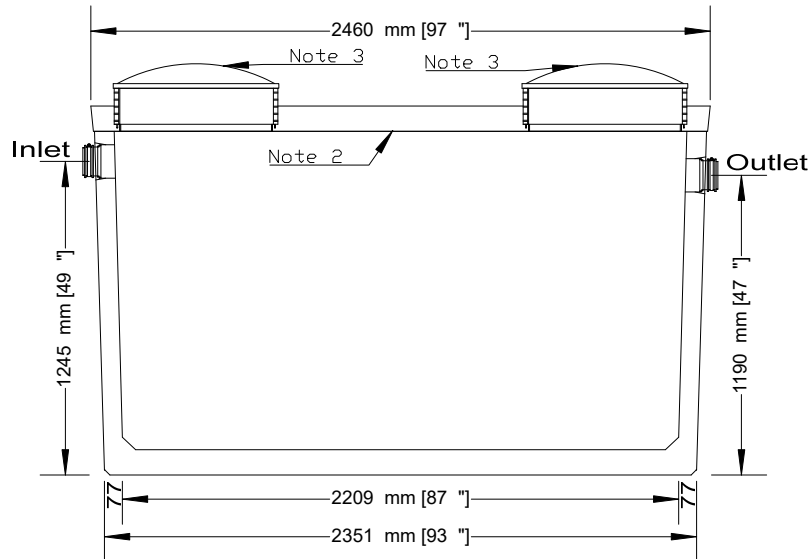
- This tank design is a one piece unit. Top is sealed with a fibrous mastic sealant
- tanks are cast with 35 MPA strength concrete at 7 days with 5-7% air
- Chamber divider monolithically cast with structure
- 3.0 Kg. structural fibre added to concrete. ASTM C 1116
- Lid has 10m Pre-manufactured welded wire
- Rebar Cover 25mm
- Tanks conform to National Standards of Canada CAN/CSA B66-16
- Non-sulphate resistant concrete
- Standard (3) 100mm Inlets and 1 outlet fitted with flexible rubber connections

Bare Base Weight.....3260 Kg (7187 Lbs)  
 Lid Weight.....1040 Kg (2293 Lbs)  
 Total Tank Weight.....4300 Kg (9480 Lbs)

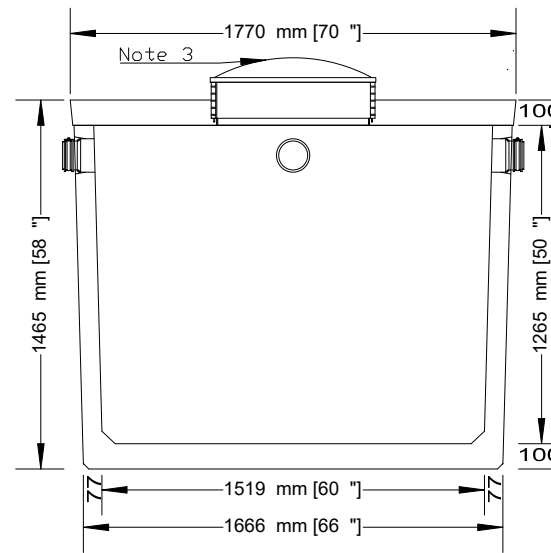
Notes

1. 75mm dia. PVC pipe cast-in to facilitate pump installation or venting
2. Water Storage Capacity to underside of top.....4,213 Ltrs. (926 Gal)
3. Cast in place 610mm ID plastic riser with plastic lid secured with stainless steel fasteners extending 70mm above concrete

Designed for up to one metre burial over top of tank - Deep burial and vehicle traffic tanks are available upon request. Specialty conformations may be possible



Side Elevation Section



End Elevation Section

Tank markings observed:  
 Inlet & outlet are marked.  
 Tank is marked on tank lid - inlet end

**NPCP**  
 2019 SEPTIC LO 3600 L  
 B.D. 1 METRE  
 1200 LIQUID DEPTH  
 WC 3843  
 NON SUPHATE  
 AGINP