

NEWMARKET PRE-CAST CONCRETE PRODUCTS LTD.

Telephone: 905-852-6111 ; Toll Free 1-800-263-1297

Model 22500 Low (5000 GAL) Septic Tank - 1 Piece Unit Working Capacity 19,980 Litres (4395 Gal)

- This tank design is installed in multiple units
- Each unit is tongue and groove design and is sealed with fibrous mastic sealant
- tanks are cast with 45 MPA strength concrete at 7 days with 5-7% air
- Steel reinforced with 20m rebar, spaced at 250mm in each direction at 50mm cover. CAN/CSA-G30.18.
- Tanks conform to National Standards of Canada CAN/CSA B66-16
- Non-sulphate resistant concrete
- Three 100mm Inlet and one 100mm outlet fitted with flexible rubber connections
- Chamber divider monolithically cast with structure

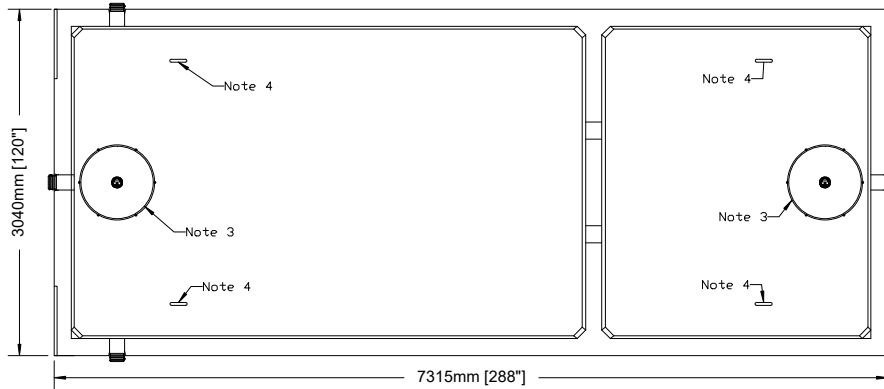
Top Slab Weight.....19,220 Kg (40,169 Lbs)
 Tank Base Weight.....7,168 Kg (15,804 Lbs)
 Total Tank Weight.....26,388 Kg (55,973 Lbs)

Notes

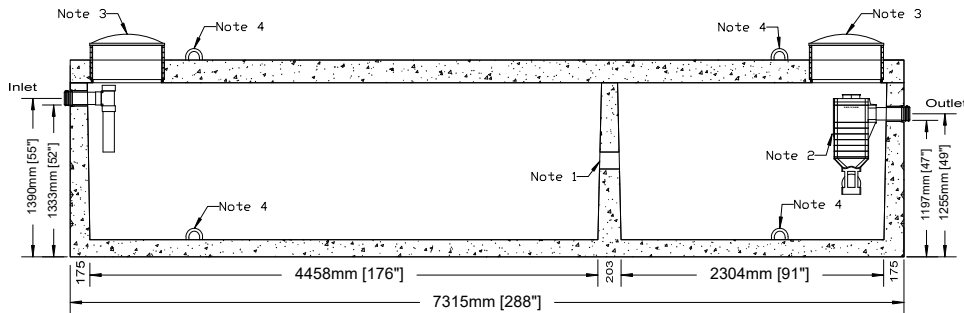
1. Two 150mm diameter partiton flow through holes
2. Outlet contains one 100mm flexible rubber conection - accommodate outlet filter
3. Cast in place 610mm ID plastic riser with plastic lid secured with stainless steel fasteners extending 178mm above top
4. Lifting Hooks - 4 Points Each Section

Designed for up to two metre burial over top of tank - vehicle traffic tanks are available upon request.
 Specialty conformations may be possible

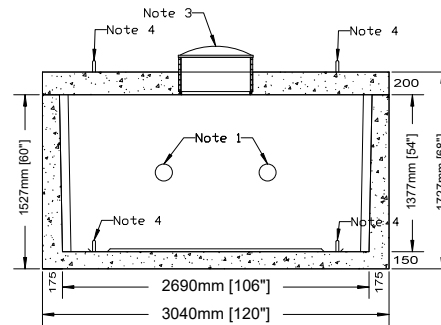
• **Watertight seal cannot be guaranteed if ConSeal Installation Guidelines are not followed, Please read and Follow Installation Guidelines from <http://conseal.com/installation/ButylSealingTapes.pdf>**



Top Section



Side Elevation Section



End Elevation Section

Tank Markings Observed:
 Inlet & Outlet is Marked.
 Tank is marked on tank lid - Inlet End

NPCP
 LOW SEPTIC 22500
 B.D. 2 METRE
 WC 19,980
 NON-SULPHATE
 AGINP