

NEWMARKET PRE-CAST CONCRETE PRODUCTS LTD.

Telephone: 905-852-6111 ; Toll Free 1-800-263-1297

Model 50 - Precast Concrete Utility Vault/Storage Vault

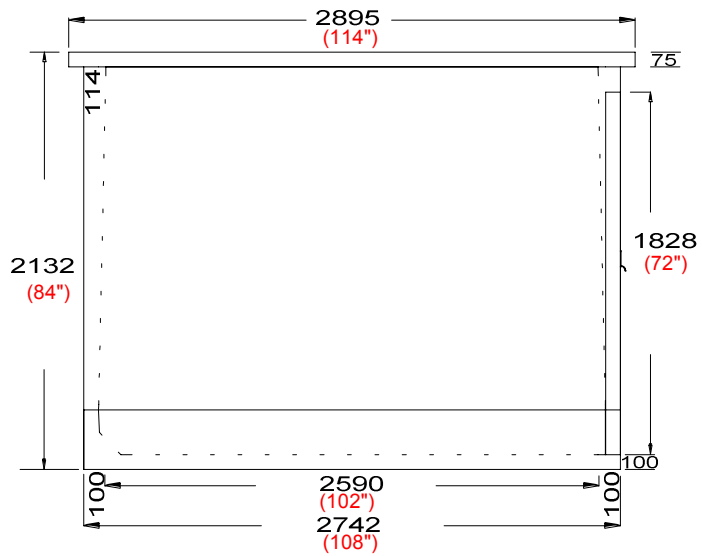
FEATURES & BENEFITS:

- No footing or foundation required
 - can be placed in many environments with minimal site preparation
- Water-proof construction
 - joint is sealed to withstand extreme weather conditions
- Reinforced precast concrete construction
 - requires no external/internal Maintenance
- Vandal Resistant
 - 38" x 72" x 2" steel access door with Dorex dead-bolt lock and tamper-proof hinges

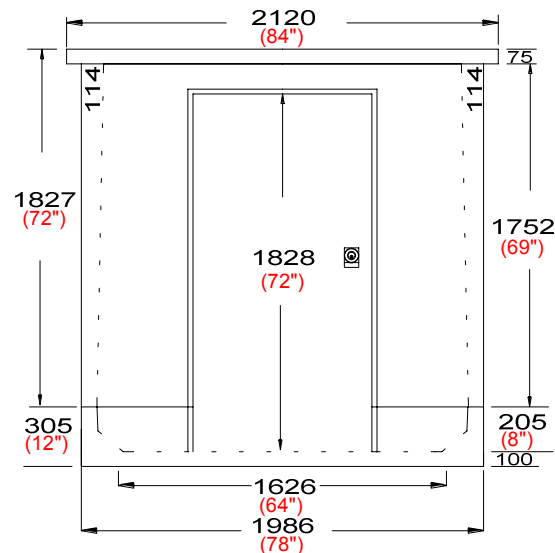
Total Weight.....5443Kg (12,000Lb)

APPLICATIONS:

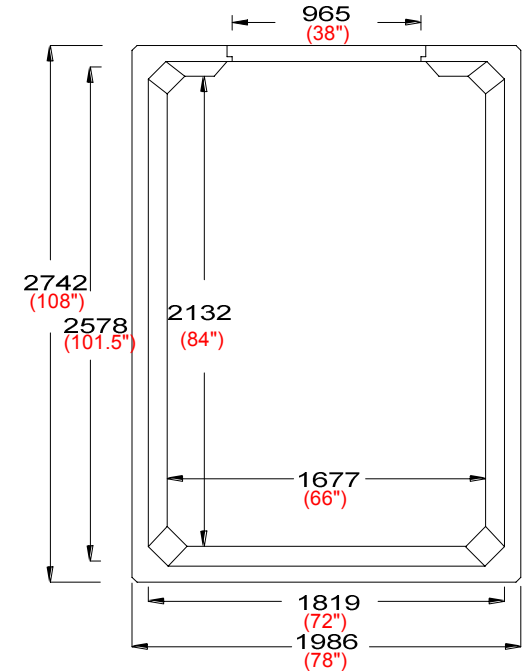
- Agriculture/Industrial/Construction
 - Storage of hazardous chemicals, fertilizers, paints, explosives, tools and equipment
- Hydro/Telephone
 - Provides remote security for relay stations, sub-stations, lighting/power facilities plus miscellaneous storage for material and equipment
- Public Facilities
 - Ideal storage space for lawn mowers and environmentally hazardous chemicals.
 - Can be used at schools, public/private parks, marinas, golf courses and other recreational facilities
- Residential
 - Storage space for garden tools and equipment, ideal for pool shed/change room



Side Elevation Section Left



End Elevation Section



Interior Dimensions

- Vault cast with 35 MPA strength concrete at 7 days with 5-7% air
- Steel reinforced with 10m rebar spaced at 400mm both directions
20m rebar over doorway, rebar cover is 25mm
- Vaults are delivered and set in place providing location is level and prepared in advance and accessible by our truck