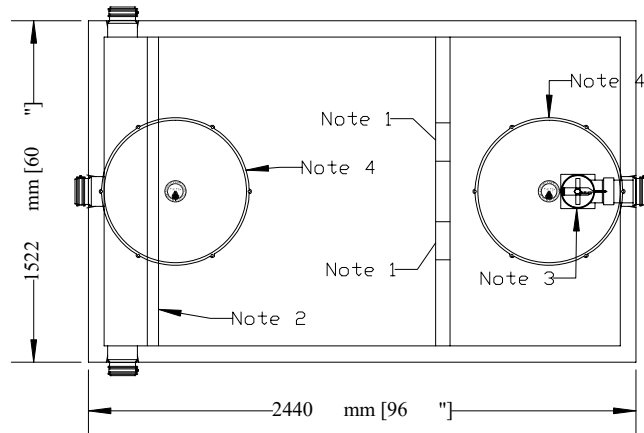


NEWMARKET PRE-CAST CONCRETE PRODUCTS

Telephone: 905-852-6111 ; Toll Free 1-800-263-1297

MODEL 3600 (800) SEPTIC TANK - 1 PIECE

WORKING CAPACITY..... 3673 LITRES (808GAL)



Top Section

- . Design shown is a one piece unit. The top is sealed with a fibrous mastic sealant
- . Tanks are cast with 35 MPA strength concrete at 7 days with 5-7% air
- . 3.0 kg structural fiber added to concrete. ASTM C 1116
- . Top 10m pre-manufactured welded wire
- . Rebar cover 25mm
- . Tanks conform to National Standards of Canada CAN/CSA B66-16
- . Non sulphate resistant concrete
- . Chamber divider monolithically cast with structure

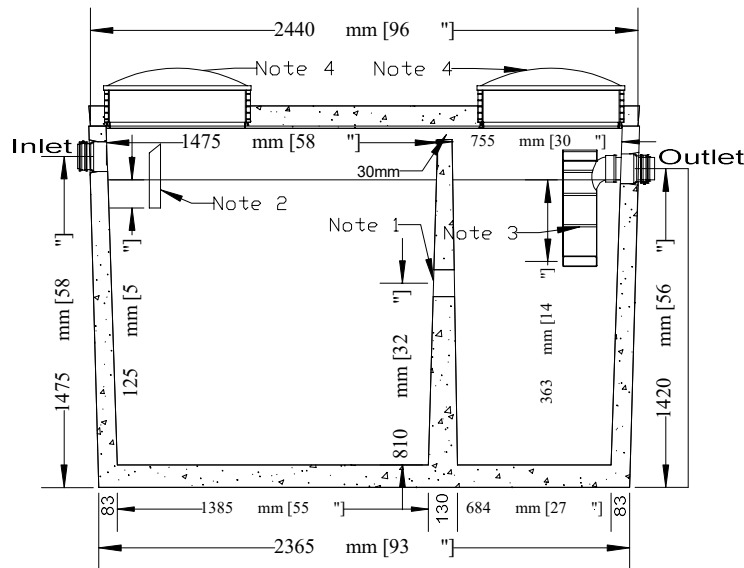
Bare tank weight 3355 kg (7396 lb)

Lid weight 910 kg (2006 lb)

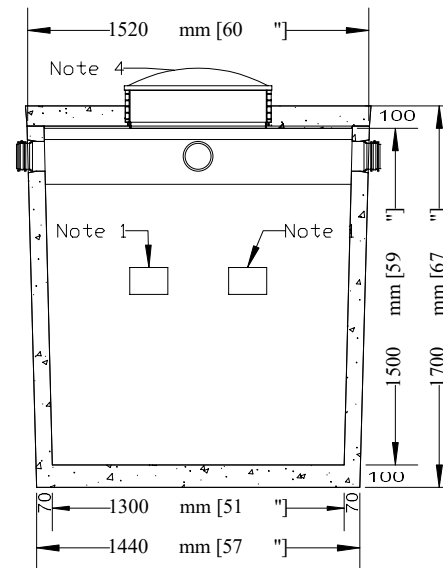
Total tank weight ...4265 kg (9402 lb)

- Notes: 1. Two 100mm x 150mm holes through partition
 2. Concrete inlet baffle is prefitted to accommodate (3) 100mm inlets
 3. 100mm outlet fitted with filter that meets Ontario Building Code
 4. Cast in place 610mm ID Tuf-tite Riser and Dome Cover secured with stainless steel fasteners extending 70mm above top of tank

Designed for up to one metre burial over top of tank - vehicular traffic and up to two metre burial tanks are available upon request. Specialty conformation maybe possible



Side Elevation Section



End Elevation Section

Tank markings observed:
 Inlet & outlet are marked.
 Tank is marked on tank lid
 Inlet End

<p>NPCP 2019 SEPTIC 3600 L B.D. 1 METRE 1270 LIQUID DEPTH WC 3673 NON SUPHATE AGINP PML</p>
