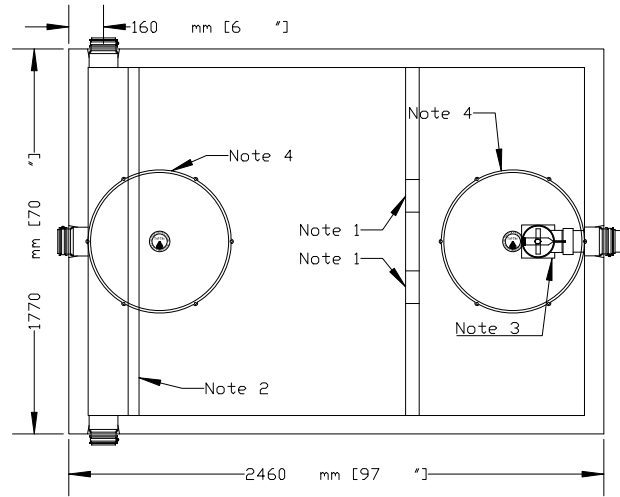


NEWMARKET PRE-CAST CONCRETE PRODUCTS LTD.

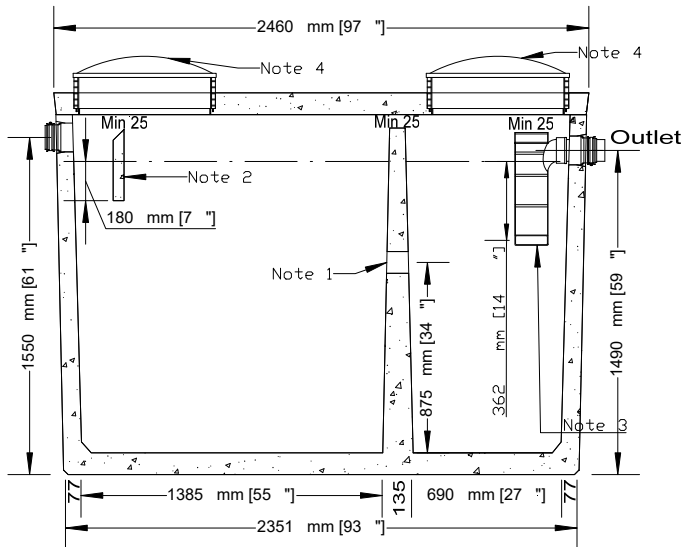
Telephone: 905-852-6111 ; Toll Free 1-800-263-1297

Model 4500 (1000 GAL) Septic Tank - 1 Piece Unit

Working Capacity 4517 Litres (993 Gal)



Top Section



Side Elevation Section

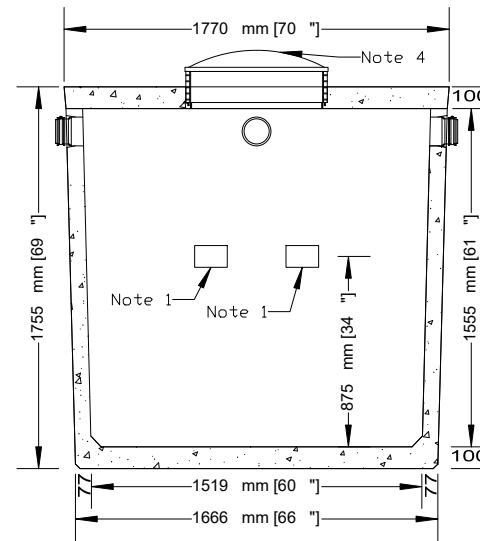
- This tank design is a one piece unit. Top is sealed with a fibrous mastic sealant
- tanks are cast with 35 MPA strength concrete at 7 days with 5-7% air
- 3.0 Kg. structural fibre added to concrete. ASTM C 1116
- Lid has 10m Pre-manufactured welded wire
- Rebar Cover 25mm
- Tanks conform to National Standards of Canada CAN/CSA B66-16
- Non-sulphate resistant concrete
- Standard (3) 100mm Inlets, one standard 4" Outlet
- Chamber divider monolithically cast with structure.

Bare Base Weight.....3840 Kg (8466 Lbs)
 Lid Weight.....1040 Kg (2293 Lbs)
 Total Tank Weight.....4880 Kg (10,759 Lbs)

Notes

1. Two 100 x 150mm partition flow through holes
2. Concrete inlet baffle are pre-fitted to accommodate three 100mm flexible rubber connections
3. Outlet contains one 100mm flexible rubber connection fitted with 100mm Effluent Filter that meets Ontario Building Code
4. Cast in place 610mm ID plastic riser with plastic lid secured with stainless steel fasteners extending 100mm above top

Designed for up to one metre burial over top of tank - Deep burial and vehicle traffic tanks are available upon request. Specialty conformations may be possible



End Elevation Section

Tank Markings Observed:
 Inlet & Outlet is Marked.
 Tank is marked on tank lid - Inlet End

NPCP
 2019 SEPTIC 4500
 B.D. 1 METRE
 1200 LIQUID DEPTH
 WC 4517
 NON-SULPHATE
 AGINP
 PML