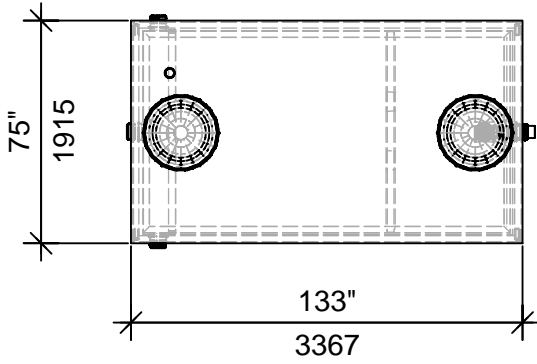


WORKING CAPACITY: 5140L (1130 IG)

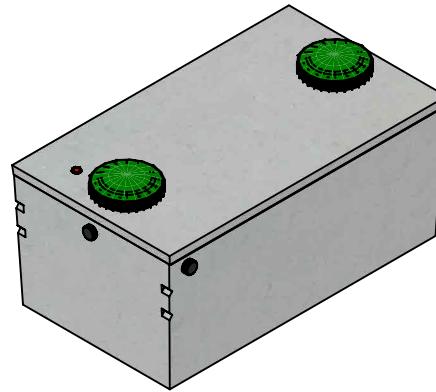
Bare Base Weight.....3710 Kg (8,179 Lbs)
 Lid Weight.....1550 Kg (3,417 Lbs)
 Total Tank Weight.....5260 Kg (11,596 Lbs)

Notes

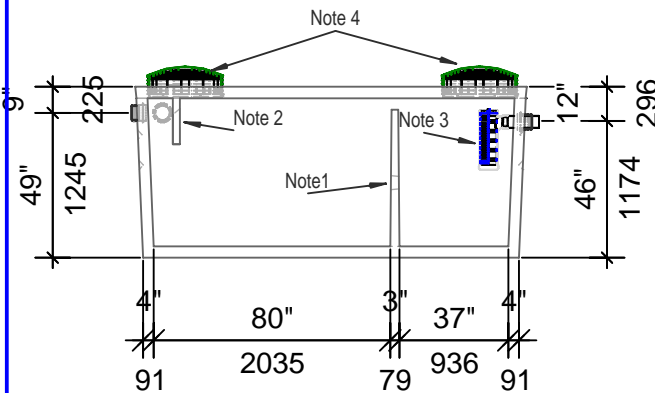
1. Two 100mm x 150mm partition flow through
2. Concrete inlet baffle is pre-fitted to accommodate three 100mm flexible rubber connections
3. Outlet contains one 100mm flexible rubber connection fitted with Tuf-tite EF-6 Effluent Filter
4. Cast in place 610mm ID Tuf-tite riser with dome lid secured with stainless steel fasteners extending 70mm above top



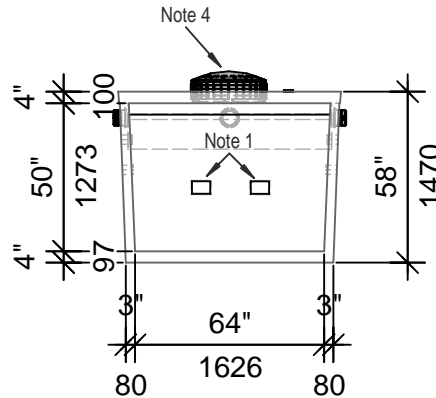
Top View



Isometric View



Side View



End View

Tank Markings Observed:
 Inlet & Outlet are Marked
 Tank is Marked on Tank Lid - Inlet End

NPCP
 SEPTIC LO 4500 L
 B.D. 1 METRE
 1200 LIQUID DEPTH
 WC 5140
 NON SULPHATE
 AGINP



20 Victoria St
 Uxbridge, ON L9P 1N4
 Tel: 905-852-6111
 Toll Free: 1-800-263-1297
 Fax: 905-852-4340
 Info@Newmarketprecast.com
 Newmarketprecast.com

Model Low 4500 Septic 1000 Imperial Gallon

Designed for up to **One Metre** burial over top of tank - Deep burial and vehicle traffic tanks are available upon request. Specialty conformations may be possible

- This tank design is a one piece unit. Top is sealed with a fibrous mastic sealant
- Tanks are cast with 45 MPA strength concrete at 7 days with 5-7% air
- 3.0 Kg. structural fibre added to concrete. ASTM C 1116
- Lid has 10m Pre-manufactured welded wire
- Rebar Cover 25mm
- Tanks conform to National Standard of Canada CAN/CSA B66-16
- Non-sulphate resistant concrete
- Chamber divider monolithically cast in with structure
- Standard three 100mm Inlets and one 100mm Outlet with filter that meets building code