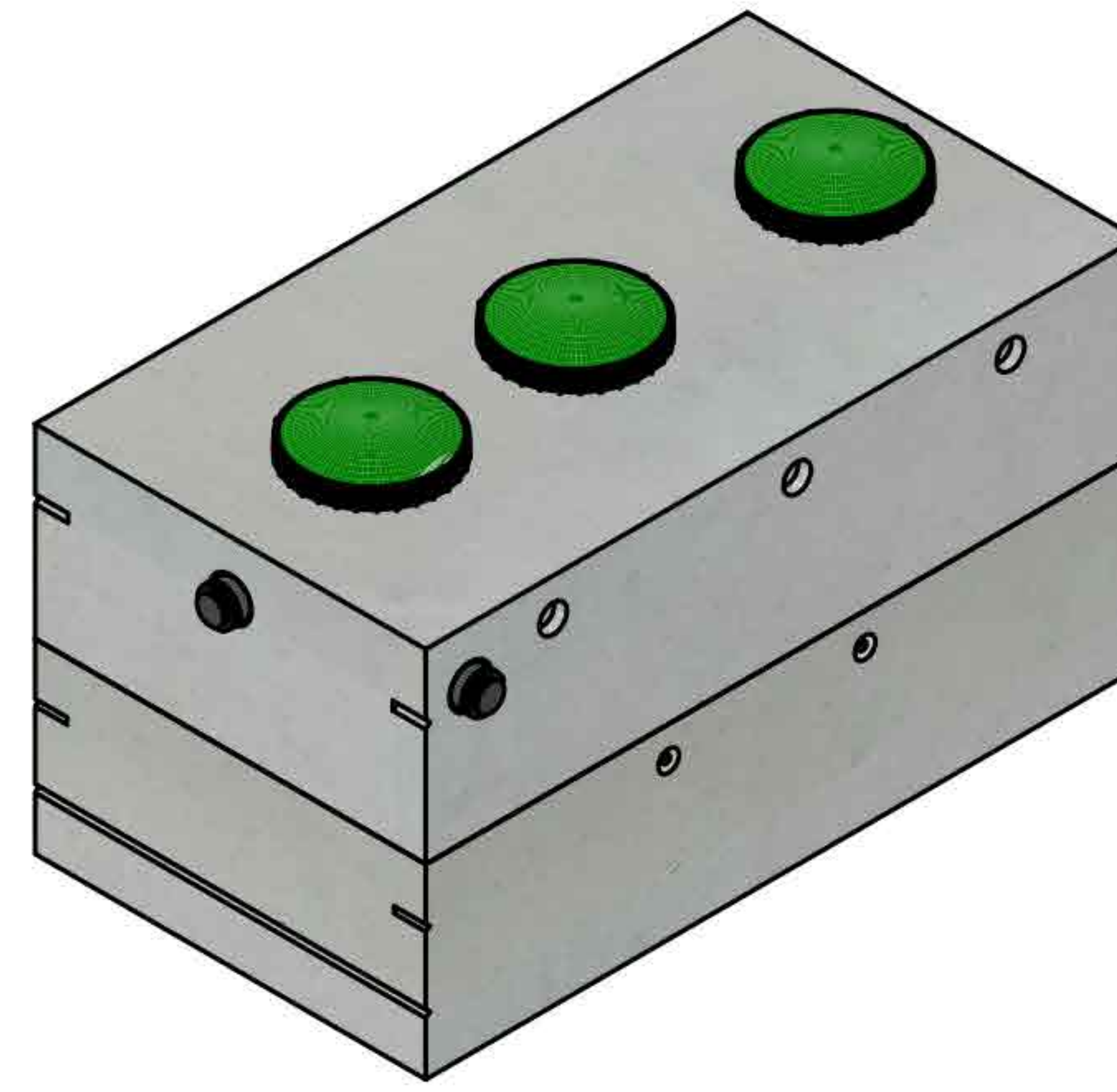
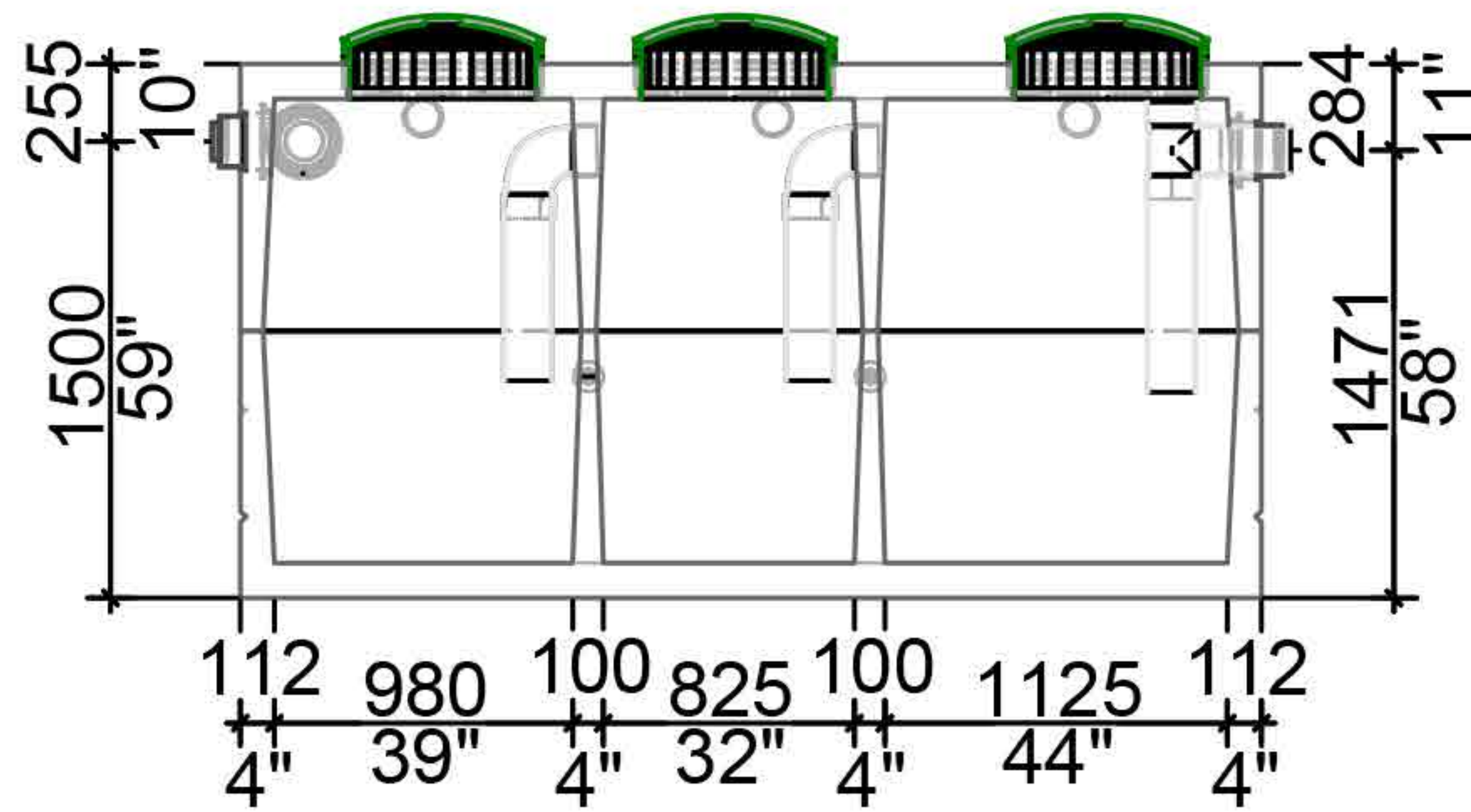


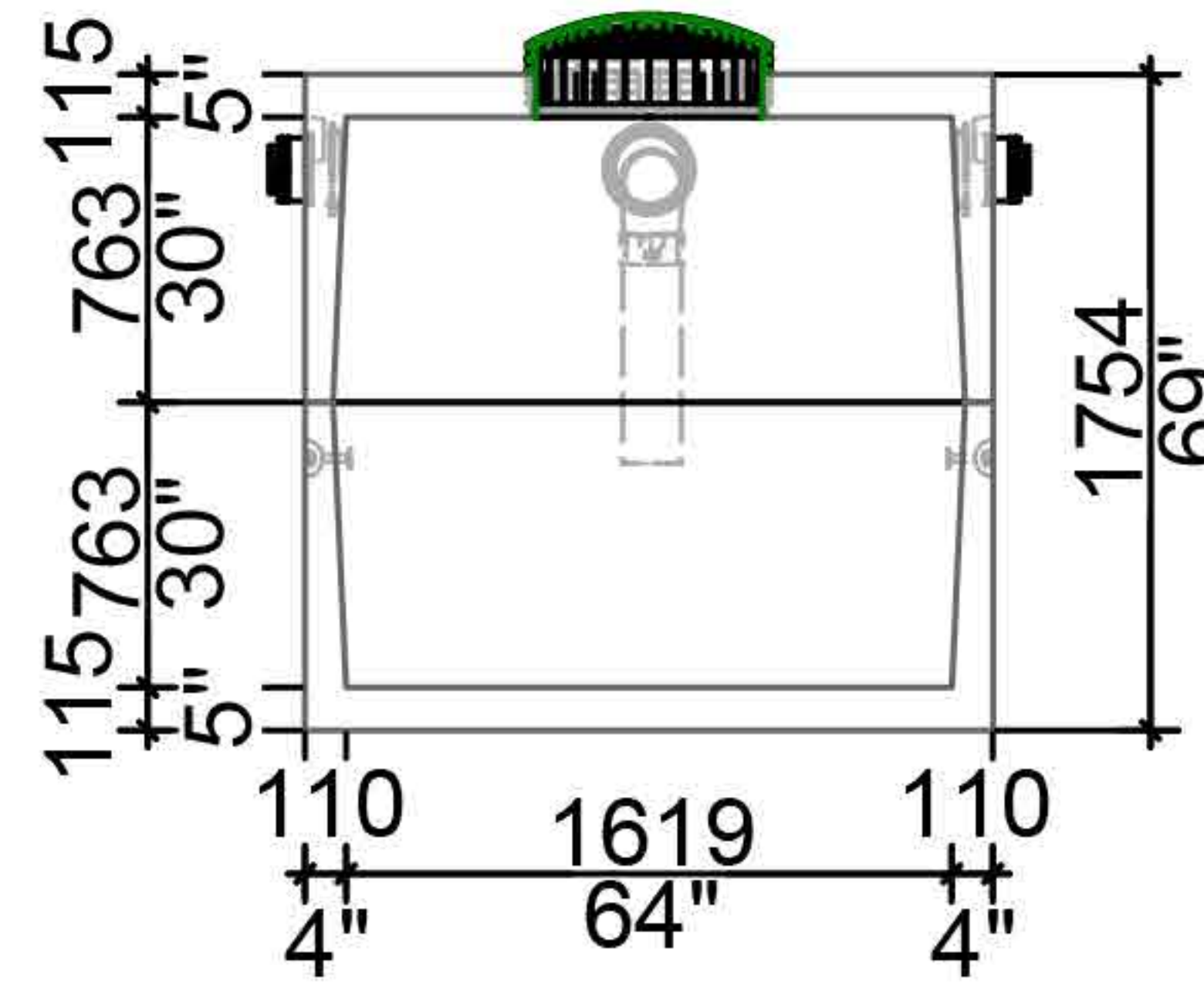
Top View



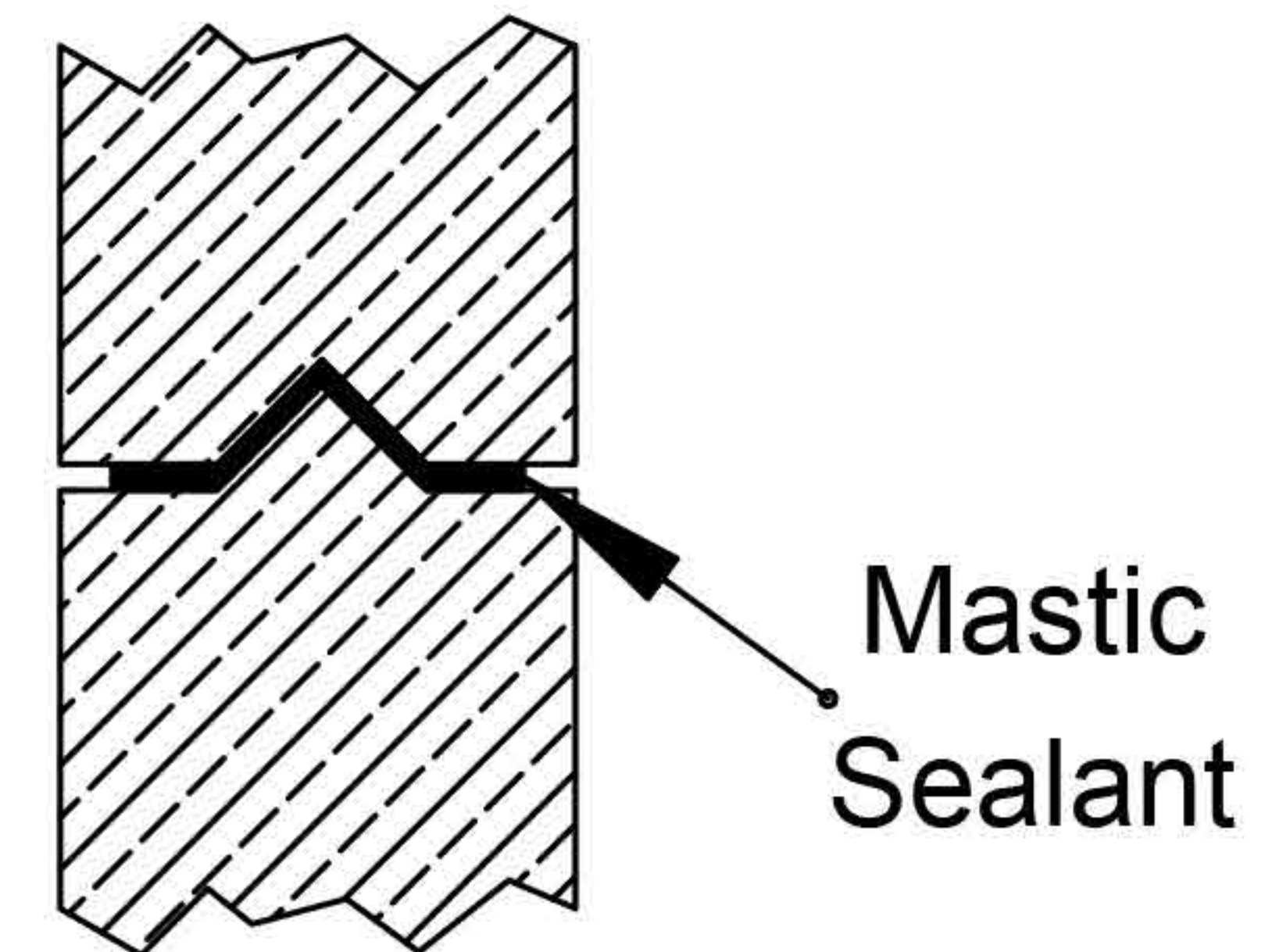
Isometric View



Side View



End View



Tongue and Groove Joint

WORKING CAPACITY: 6000L (1319 IG)

Bare Base Weight.....3864 Kg (8,519 Lbs)

Lid Weight.....3615 Kg (7,970 Lbs)

Total Tank Weight.....7479 Kg (16,489 Lbs)

Notes

1. 150mm flow through pipes extending 600mm down
2. standard three 150mm inlets as well as one outlet baffle consisting of 150mm tee and 150 mm pipe (710mm in length)
3. Cast in place 610mm ID plastic riser with plastic lid secured with stainless steel fasteners extending 60mm above top



20 Victoria St
 Uxbridge, ON L9P 1N4
 Tel: 905-852-6111
 Toll Free: 1-800-263-1297
 Fax: 905-852-4340
 Info@Newmarketprecast.com
 Newmarketprecast.com

6000L Oil and Grease Interceptor

Designed for up to **One Metre** burial over top of tank - Deep burial and vehicle traffic tanks are available upon request. Specialty conformations may be possible

- This tank design is a one piece unit. Seam is sealed with a fibrous mastic sealant
- Unit must be vented in regulation with local plumbing codes
- Three compartments separate water from any insoluble liquid of solids having a specific gravity less than that of water
- Individual access lids to each compartment for cleanout
- Tanks are cast with 45 MPA strength concrete at 7 days with 5-7% air
- 3.0 Kg. structural fibre added to concrete. ASTM C 1116
- Steel reinforced with 10m rebar, spaced at 400mm in each direction
- Rebar Cover 25mm, CAN/CSA-G30.18.
- Tanks conform to National Standard of Canada CAN/CSA B66-16
- Non-sulphate resistant concrete
- Standard three 150mm Inlets and one 150mm Outlet with flexible rubber connections