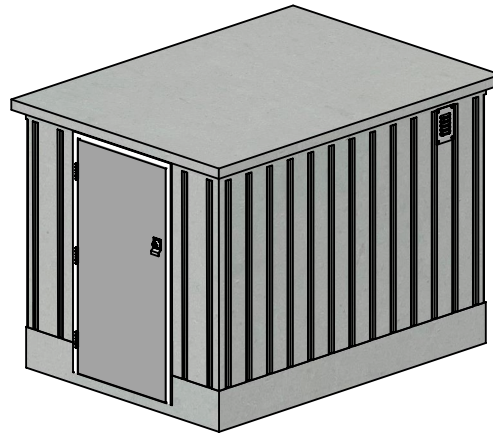
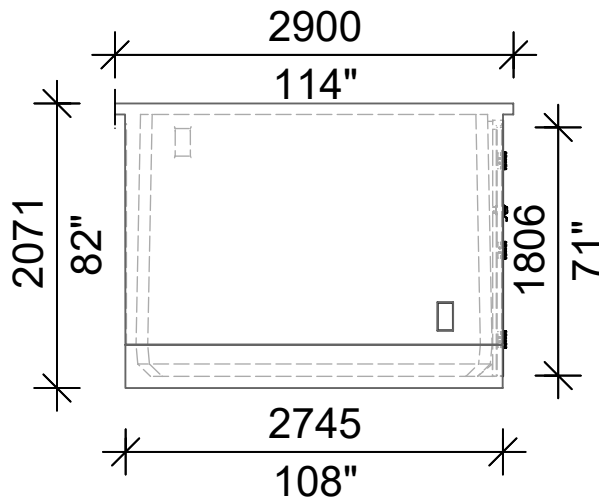


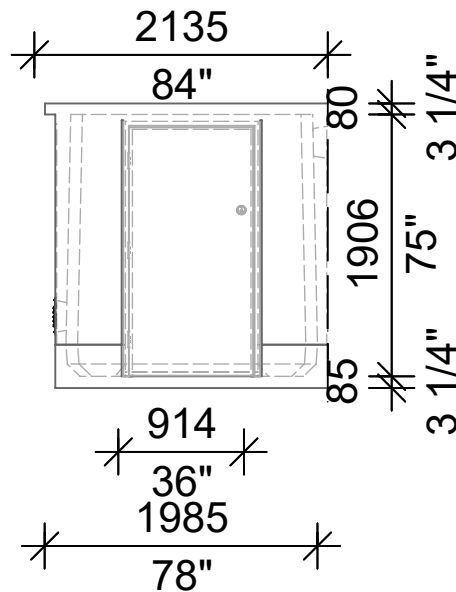
Interior view



Isometric View



Side View



Front View

FEATURES & BENEFITS

- No footing or foundation required
- Water-proof construction
- Joint is sealed to withstand extreme weather conditions
- Reinforced precast concrete construction
- Requires no external/internal Maintenance
- Vandal Resistant
- 38" x 72" x 2" powder coated steel access door with Dorex dead-bolt lock and tamper-proof hinges
- Aluminum vent 125mm x 235mm
- Spill containment wall available by request
- Openings for electrical poured in by request

APPLICATIONS

Agriculture/Industrial/Construction

- Storage of hazardous chemicals, fertilizers, paints, explosives, tools and equipment

Hydro/Telephone

- Provides remote security for relay stations, sub-stations, lighting/power facilities plus miscellaneous storage for material and equipment

Public Facilities

- Ideal storage space for lawn mowers and environmentally hazardous chemicals.
- Can be used at schools, public/private parks, marinas, golf courses and other recreational facilities

Residential

- Storage space for garden tools and equipment, ideal for pool shed/change room, or cold cellar



20 Victoria St
 Uxbridge, ON L9P 1N4
 Tel: 905-852-6111
 Toll Free: 1-800-263-1297
 Fax: 905-852-4340
 Info@Newmarketprecast.com
 Newmarketprecast.com

Model 50 Shed

No footing or foundation required, can be placed in many environments with minimal site preparation. placement on level surfaced advised
 Total Weight - 5443 KG (12,000 Lbs)

- Design is a one piece unit seam sealed with a non-toxic fibrous mastic sealant
- Cast with 45 MPA strength concrete at 7 days with 5-7% air
- Steel reinforced with 10m rebar, spaced at 300mm long axis, 300mm short axis. CAN/CSA-G30.18. Rebar Cover 25mm
- Tanks conform to National Standards of Canada CAN/CSA B66-16
- Non-sulphate resistant concrete