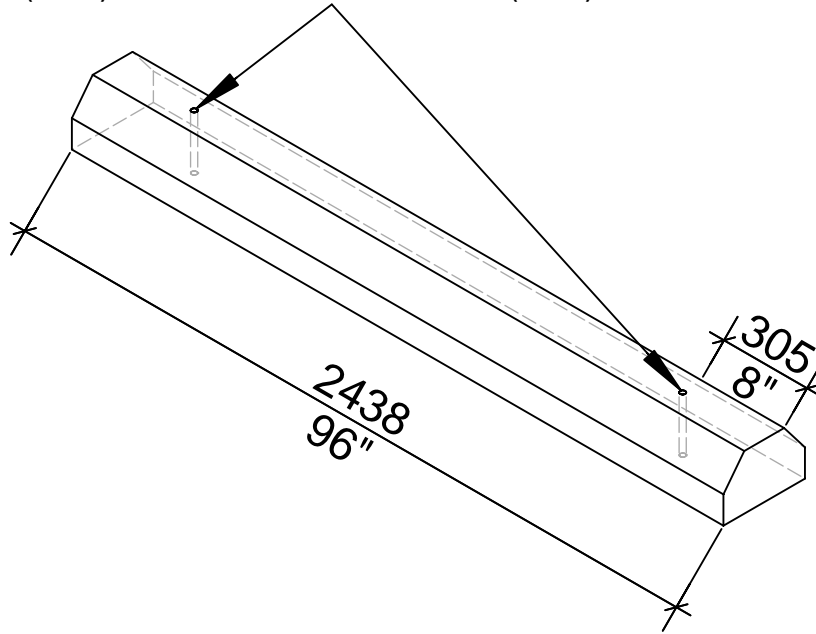
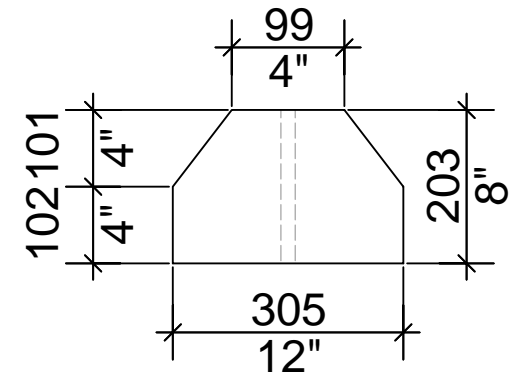


13mm (1/2") formed hole for 10mm (3/8") Curb Pin



Isometric View



End View



20 Victoria St
 Uxbridge, ON L9P 1N4
 Tel: 905-852-6111
 Toll Free: 1-800-263-1297
 Fax: 905-852-4340
 Info@Newmarketprecast.com
 Newmarketprecast.com

Standard Truck Parking Curb

Weight - 318Kg 700Lbs
 Specialty Conformations may be possible

- Cast with 45 MPA strength concrete at 7 days with 5-7% air
- 3.0 Kg. structural fibre added to concrete. ASTM C 1116
- Reinforced with 10m rebar.
- Non-sulphate resistant concrete