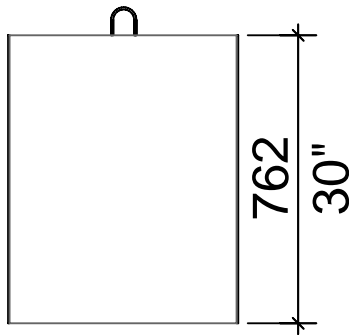


Top View Isometric View

Total Weight.....535 Kg (1,179 Lbs)

Notes

1. Lifting Hook cast in



Side View



20 Victoria St
 Uxbridge, ON L9P 1N4
 Tel: 905-852-6111
 Toll Free: 1-800-263-1297
 Fax: 905-852-4340
 Info@Newmarketprecast.com
 Newmarketprecast.com

24" Cylinder
 30" High

- This 24" Cylinder design is a one piece unit.
- Cast with 45 MPA strength concrete at 7 days with 5-7% air
- Steel reinforced with 10m rebar around top of product.
- Rebar Cover 25mm CAN/CSA-G30.18.
- 3 Kg. structural fibre added to concrete. ASTM C 1116
- Non-sulphate resistant concrete