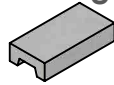
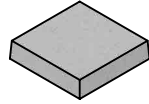
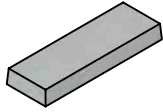
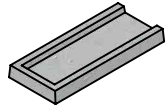


Splash Pad

Footing Pad

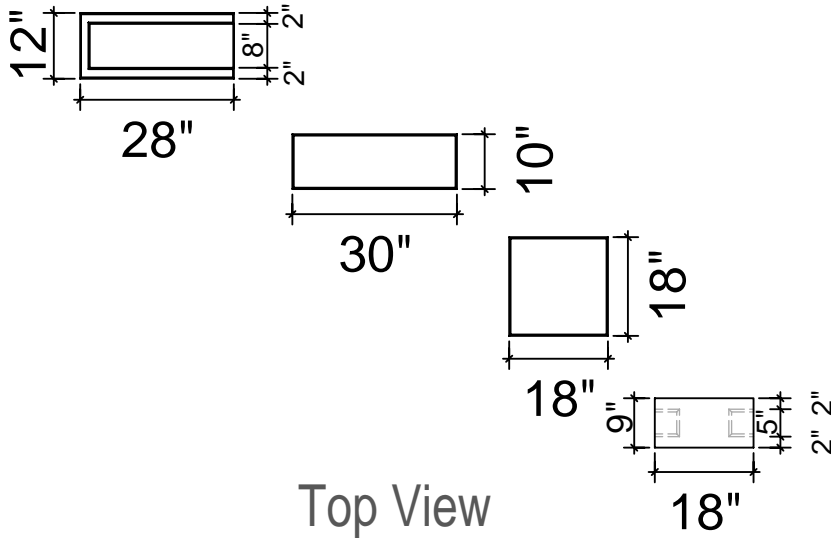
10"x30" Thick

Stacking Pad



- Splash Pad..... 24 Kg (54 Lbs)
- 10"x30" Thick.....39 Kg (88 Lbs)
- Footing Pad.....52 Kg (115 Lbs)
- Stacking Pad.....25 Kg (57 Lbs)

Isometric View



Notes

1. 12" x 28" x 3"
2. 10" x 30" x 3"
3. 18" x 18" x 4"
4. 18" x 9" x 4"

Top View

End View



20 Victoria St
 Uxbridge, ON L9P 1N4
 Tel: 905-852-6111
 Toll Free: 1-800-263-1297
 Fax: 905-852-4340
 Info@Newmarketprecast.com
 Newmarketprecast.com

Building Slabs

Specialty conformations may be possible

- Cast with 45 MPA strength concrete at 7 days with 5-7% air
- 3.0 Kg. structural fibre added to concrete. ASTM C 1116
- Rebar Cover 25mm, CAN/CSA-G30.18.
- Non-sulphate resistant concrete