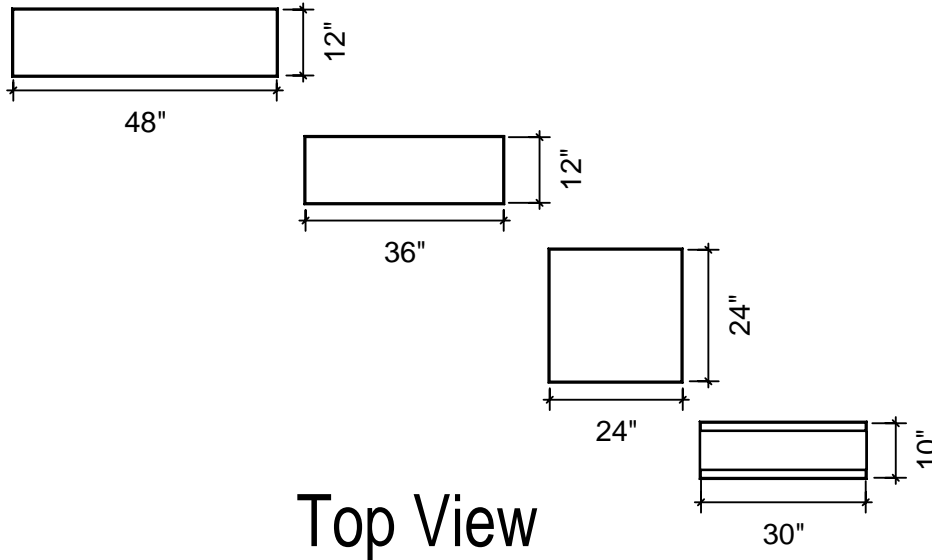
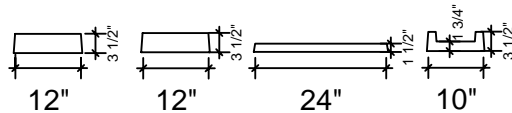


12" x 48" x 3.5"	77 Kg	(170 Lbs)
12" x 36" x 3.5"	46 Kg	(103 Lbs)
24" x 24" x 1.5"	29 Kg	(65 Lbs)
10" x 30" x 1.75"	27 Kg	(60 Lbs)

Isometric View



Top View



End View

Notes

1. 12" x 48" x 3.5"
2. 12" x 36" x 3.5"
3. 24" x 24" x 1.5"
4. 10" x 30" x 1.75"



20 Victoria St
 Uxbridge, ON L9P 1N4
 Tel: 905-852-6111
 Toll Free: 1-800-263-1297
 Fax: 905-852-4340
 Info@Newmarketprecast.com
 Newmarketprecast.com

Propane Slabs

Specialty conformations may be possible

- Cast with 45 MPA strength concrete at 7 days with 5-7% air
- 3.0 Kg. structural fibre added to concrete. ASTM C 1116
- Rebar Cover 25mm, CAN/CSA-G30.18.
- Non-sulphate resistant concrete